

ASSEMBLY INSTRUCTION  
MONTAGEANWEISUNG  
INSTRUCCIONES DE MONTAJE  
MONTAGEVEJLEDNING  
MONTERINGSANVISNING

MONTAGE INSTRUCTIE  
INSTRUCTIONS DE MONTAGE  
ISTRUZIONI DI MONTAGGIO  
ΟΔΗΓΙΑ ΣΥΝΑΡΜΟΛΟΓΗΣΗΣ

## PANAMA



**VIDEO**

You Tube

**IMPORTANT, SAVE FOR FUTURE CONSULTATION: READ CAREFULLY**

For Hospitality

**WICHTIG, BITTE ZU REFERENZZWECKEN AUFHEBEN: AUFMERKSAM LESEN**

Für die Gastlichkeit

**IMPORTANTE, GUARDAR PARA FUTURA CONSULTA: LEER DETENIDAMENTE**

Para el sector de la hostelería

**VIGTIGT, GEM TIL SENERE BRUG: LÆS OMHYGGELIGT**

Til restaurationsbranchen

**VIKTIGT, SPARA FÖR FRAMTIDA BRUK: LÄS NOGA**

För hotell- och restaurangbranschen

**BELANGRIJK, BEWAREN VOOR TOEKOMSTIGE RAADPLEGING: ZORGVULDIG LEZEN**

Voor de horeca

**IMPORTANT, CONSERVER CE DOCUMENT POUR TOUTE CONSULTATION ULTÉRIEURE : LIRE ATTENTIVEMENT**

Pour l'hôtellerie

**IMPORTANTE: CONSERVARE PER FUTURE CONSULTAZIONI. LEGGERE ATTENTAMENTE**

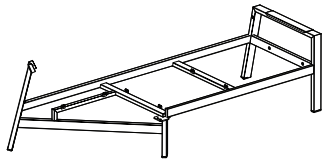
Per uso alberghiero

**ΣΗΜΑΝΤΙΚΟ, ΦΥΛΑΞΤΕ ΓΙΑ ΜΕΛΛΟΝΤΙΚΗ ΑΝΑΦΟΡΑ: ΔΙΑΒΑΣΤΕ ΠΡΟΣΕΚΤΙΚΑ**

Για Φιλοξενία

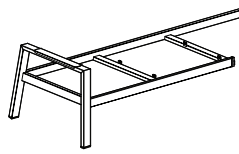
# LifestyleGarden®

*Sustainable outdoor living*



(A)

SU-SC-SP-0207  
x1



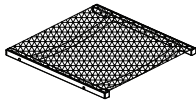
(B)

SU-SC-SP-0206  
x1



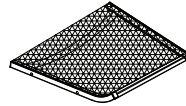
(C)

SU-SC-ST-0457  
x4



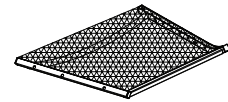
(D)

SU-SC-ST-0506  
x1














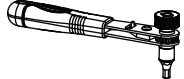
(E)

SU-SC-BF-0348  
x1



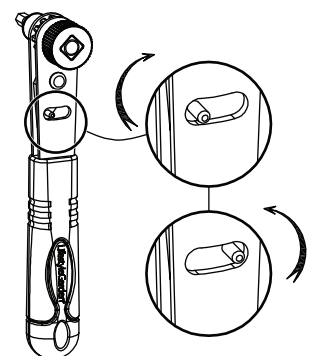
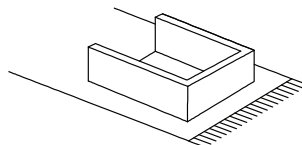
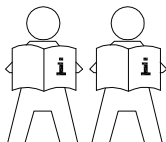
(F)

SU-SC-BF-0349  
x1

<p>1</p>  <p>HW-ST-02-056 (8x50) x22</p>	<p>2</p>  <p>HW-ST-02-049 (8x25) x8</p>	<p>3</p>  <p>HW-ST-02-021 (6x20) x1</p>	<p>4</p>  <p>HW-ST-03-089 (8x18) x20</p>	<p>5</p>  <p>HW-ST-07-044 (8,5x18x1) x30</p>	<p>6</p>  <p>HW-ST-07-060 (6,5x14x1) x1</p>
<p>7</p>  <p>HW-ST-07-141 (6,5x10,5x1,5) x1</p>	<p>8</p>  <p>HW-ST-07-062 (8,5x12,5x1,5) x4</p>	<p>9</p>  <p>HW-PL-08-099 (13,5x5) x4</p>	<p>10</p>  <p>HW-ST-07-152 (8,5x17x3) x2</p>	<p>11</p>  <p>HW-ST-07-100 (10,5x20x2) x18</p>	<p>12</p>  <p>HW-MM-18-026 (125) x2</p>



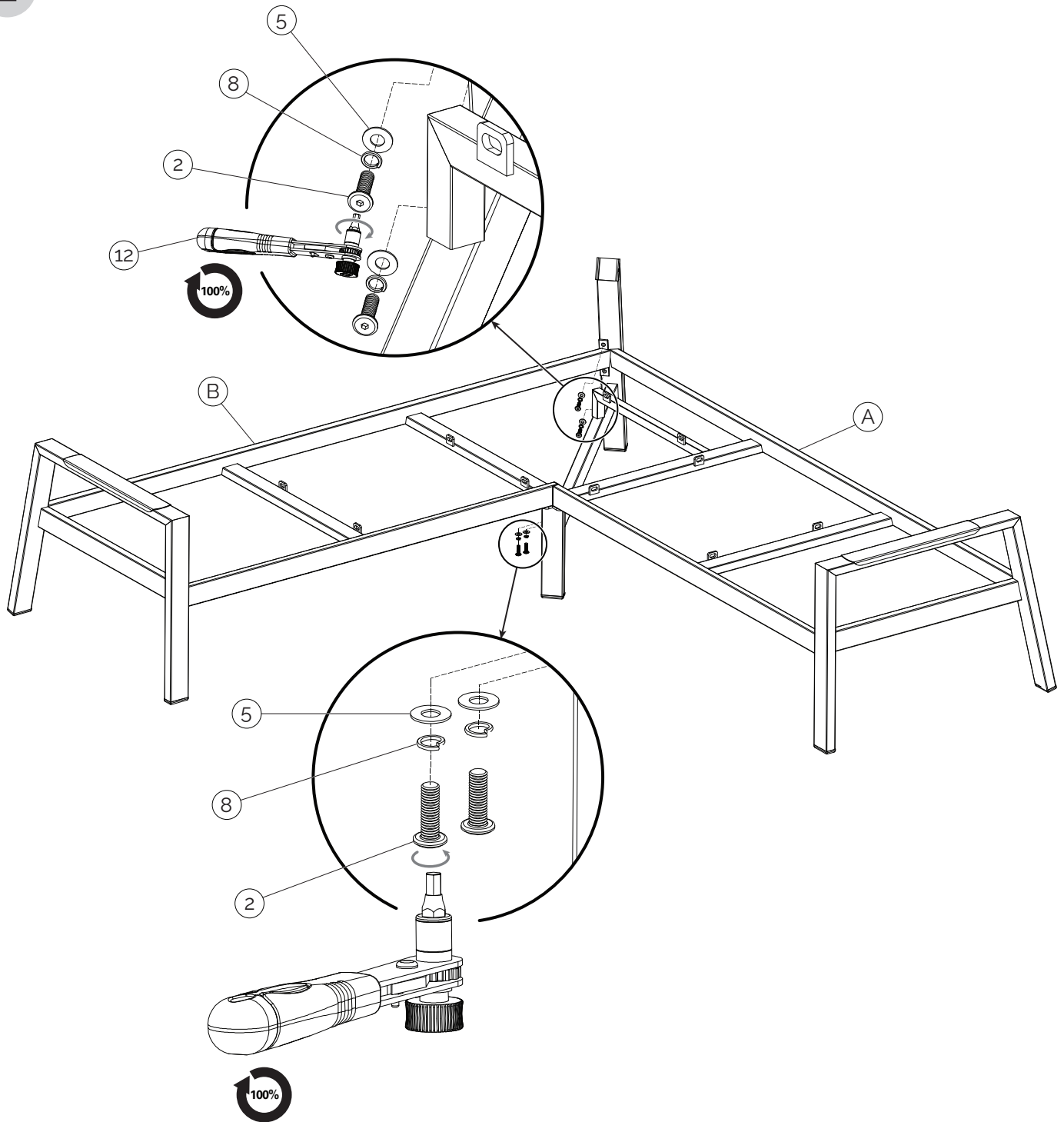
40 min

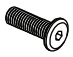


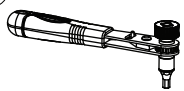


# LifestyleGarden®

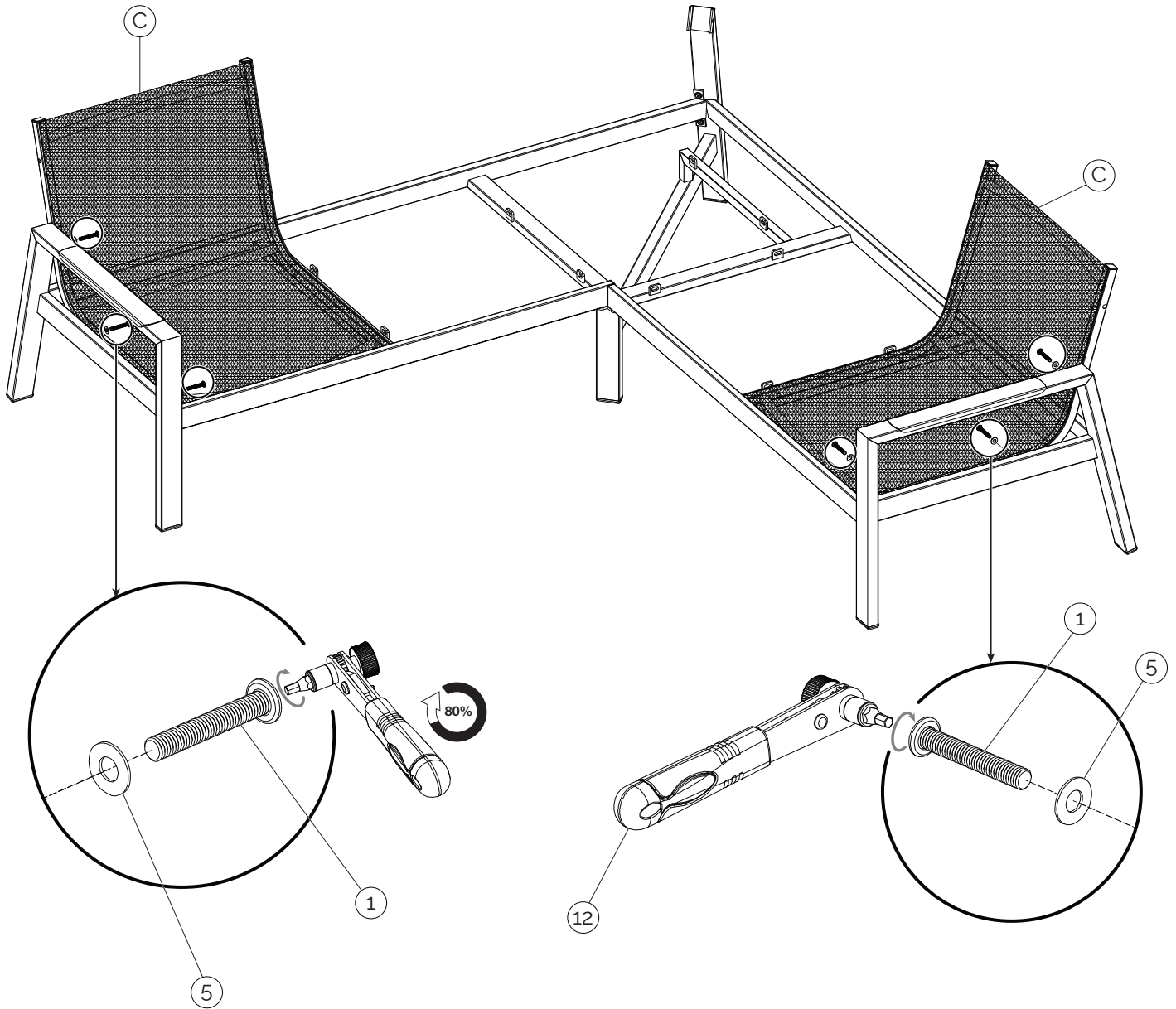
*Sustainable outdoor living*



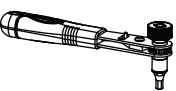
1



<p>2</p>  <p>HW-ST-02-049 (8x25) x4</p>	<p>5</p>  <p>HW-ST-07-044 (8,5x18x1) x4</p>	<p>8</p>  <p>HW-ST-07-062 (8,5x12,5x1,5) x4</p>	<p>12</p>  <p>HW-MM-18-026 (125) x1</p>
--	--	--	--

2

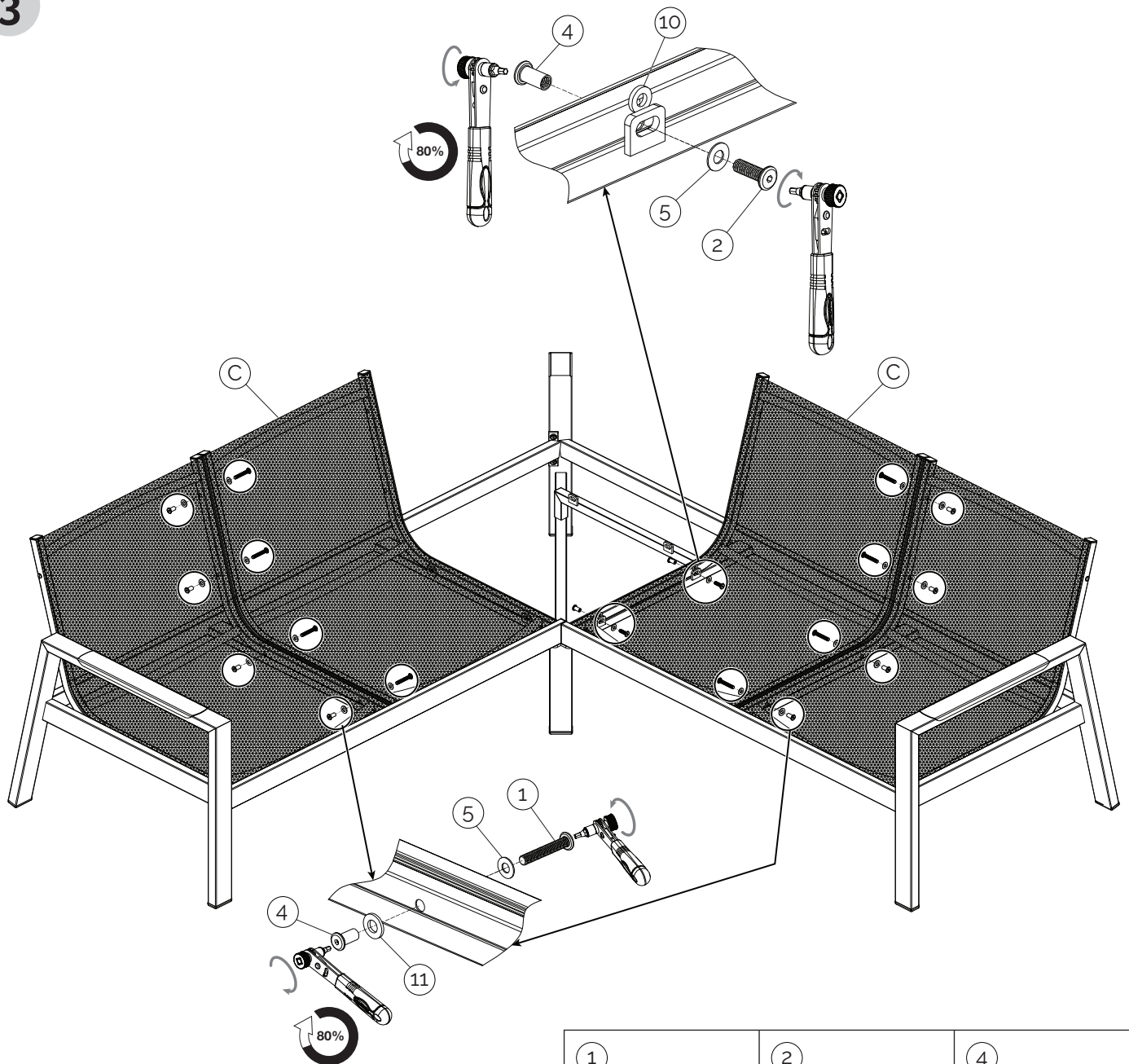








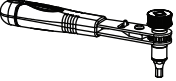
<p>1</p>  <p>HW-ST-02-056 (8x50) x6</p>	<p>5</p>  <p>HW-ST-07-044 (8,5x18x1) x6</p>	<p>12</p>  <p>HW-MM-18-026 (125) x1</p>
--	--	--

# LifestyleGarden®

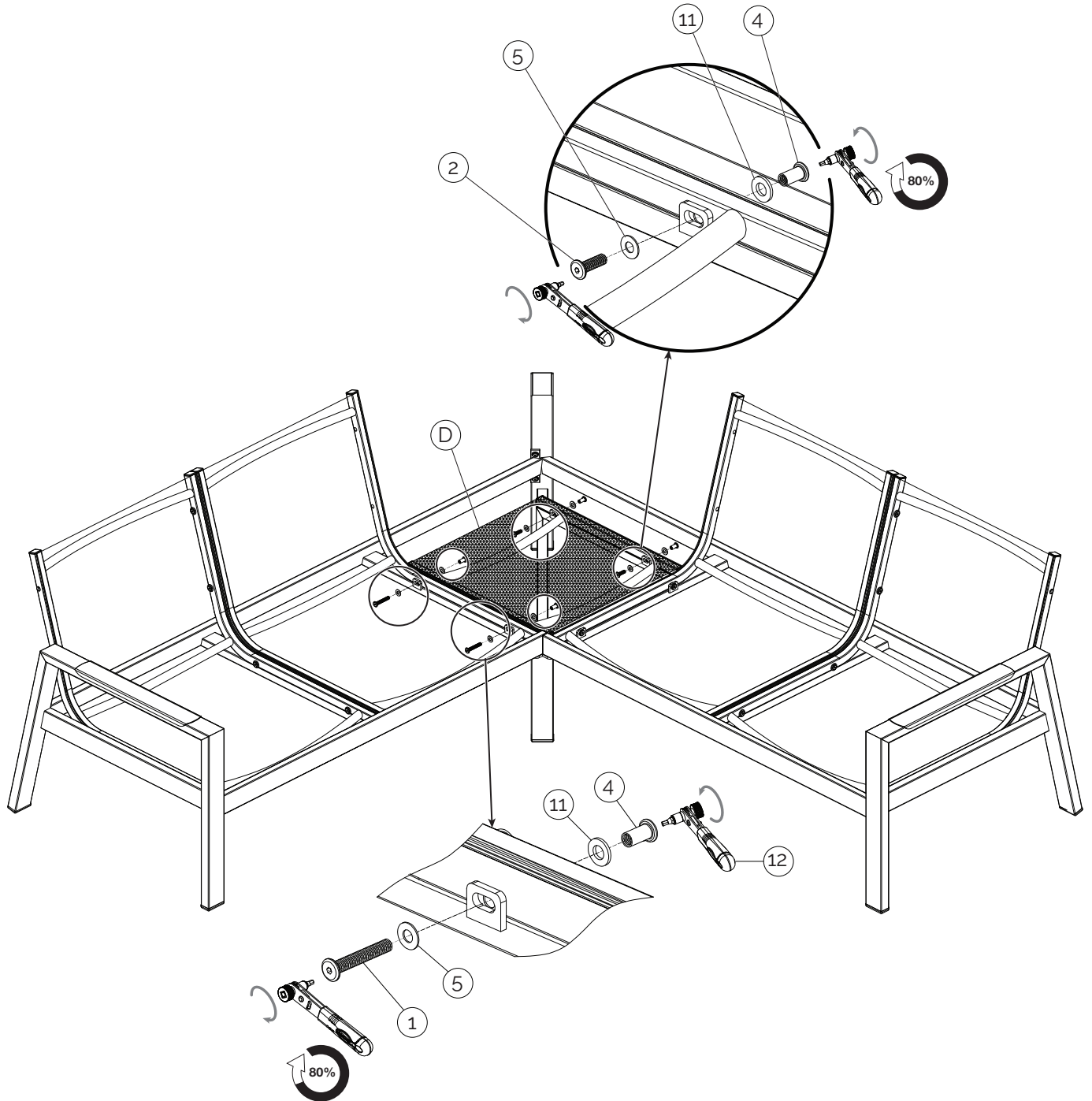
*Sustainable outdoor living*






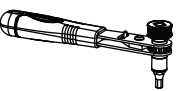
3



<p>1</p>  <p>HW-ST-02-056 (8x50) <b>x8</b></p>	<p>2</p>  <p>HW-ST-02-049 (8x25) <b>x2</b></p>	<p>4</p>  <p>HW-ST-03-089 (8x18) <b>x10</b></p>	
<p>5</p>  <p>HW-ST-07-044 (8.5x18x1) <b>x10</b></p>	<p>10</p>  <p>HW-ST-07-152 (8.5x17x3) <b>x2</b></p>	<p>11</p>  <p>HW-ST-07-100 (10.5x20x2) <b>x8</b></p>	<p>12</p>  <p>HW-MM-18-026 (125) <b>x2</b></p>



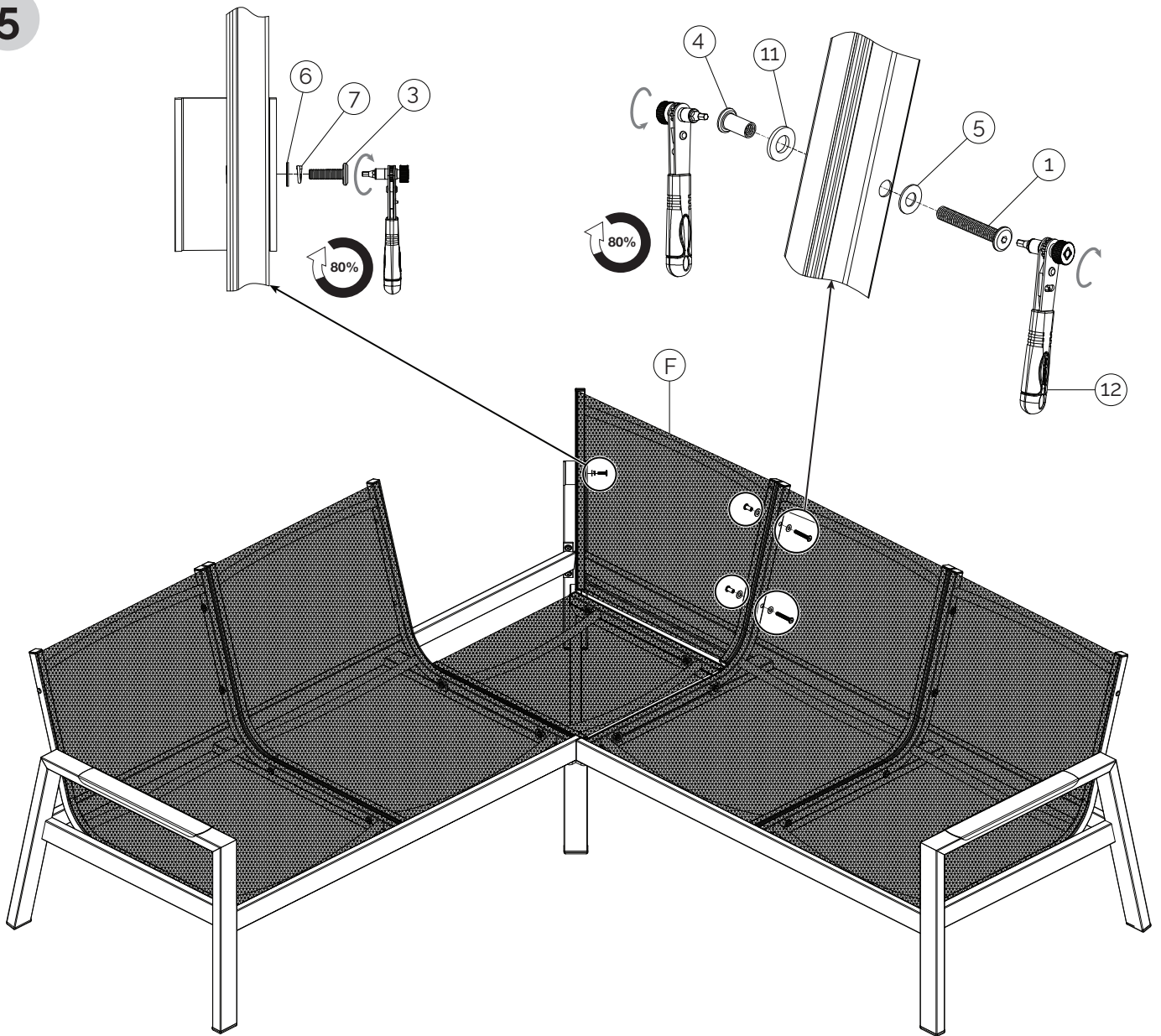









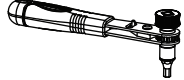
<p>①</p>  <p>HW-ST-02-056 (8x50) <b>x2</b></p>	<p>②</p>  <p>HW-ST-02-049 (8x25) <b>x2</b></p>	<p>④</p>  <p>HW-ST-03-089 (8x18) <b>x4</b></p>	<p>⑤</p>  <p>HW-ST-07-044 (8,5x18x1) <b>x4</b></p>	<p>⑪</p>  <p>HW-ST-07-100 (10,5x20x2) <b>x4</b></p>	<p>⑫</p>  <p>HW-MM-18-026 (125) <b>x2</b></p>
---	---	---	---	--	--

# LifestyleGarden®

*Sustainable outdoor living*

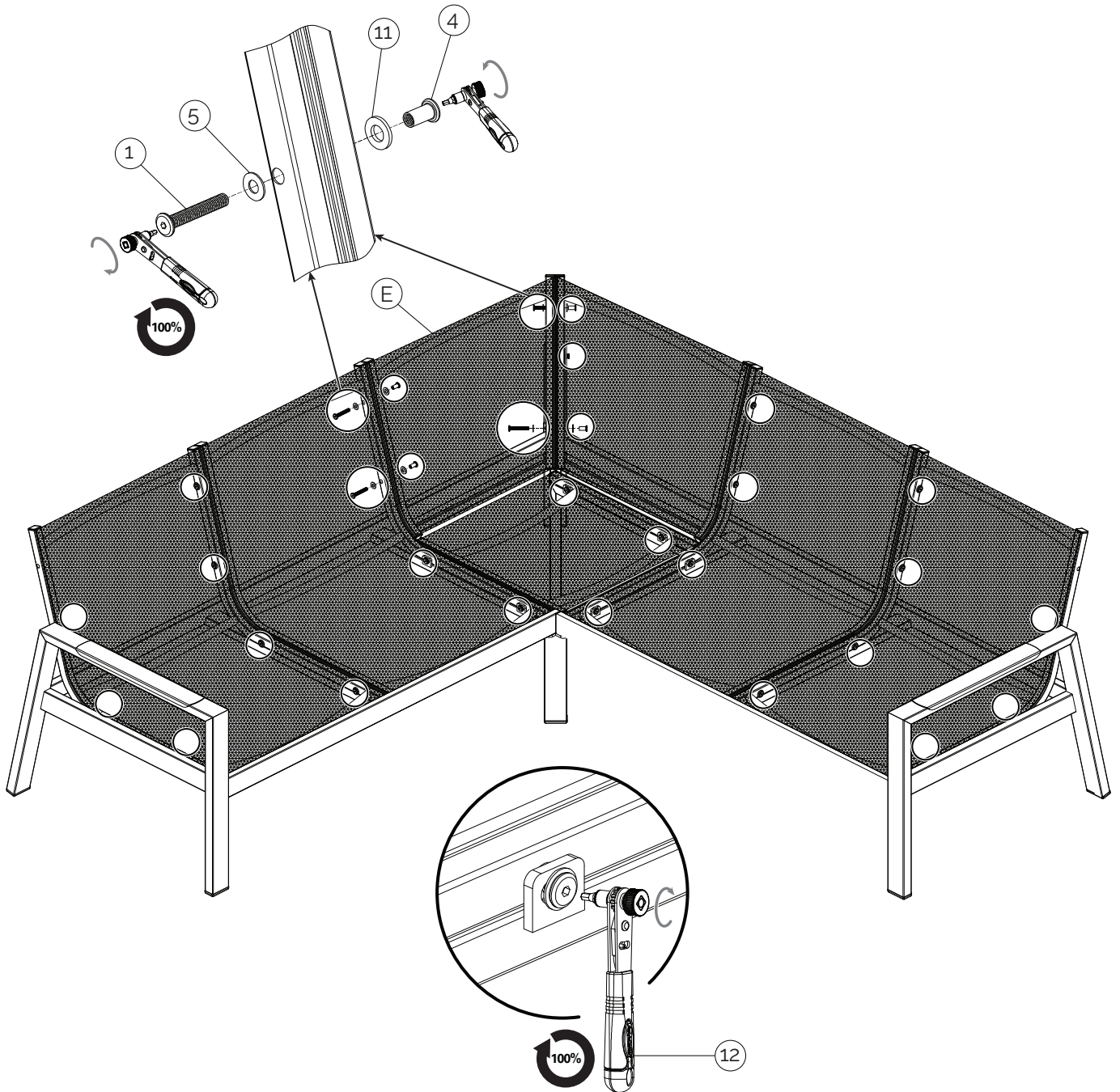
5





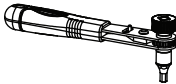


<p>①</p>  <p>HW-ST-02-056 (8x50) <b>x2</b></p>	<p>③</p>  <p>HW-ST-02-021 (6x20) <b>x1</b></p>	<p>④</p>  <p>HW-ST-03-089 (8x18) <b>x2</b></p>	<p>⑤</p>  <p>HW-ST-07-044 (8,5x18x1) <b>x2</b></p>
<p>⑥</p>  <p>HW-ST-07-060 (6,5x14x1) <b>x1</b></p>	<p>⑦</p>  <p>HW-ST-07-141 (6,5x10,5x1,5) <b>x1</b></p>	<p>⑪</p>  <p>HW-ST-07-100 (10,5x20x2) <b>x2</b></p>	<p>⑫</p>  <p>HW-MM-18-026 (125) <b>x2</b></p>

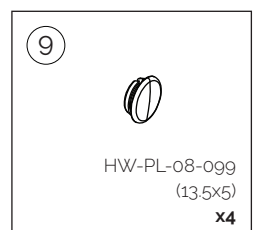
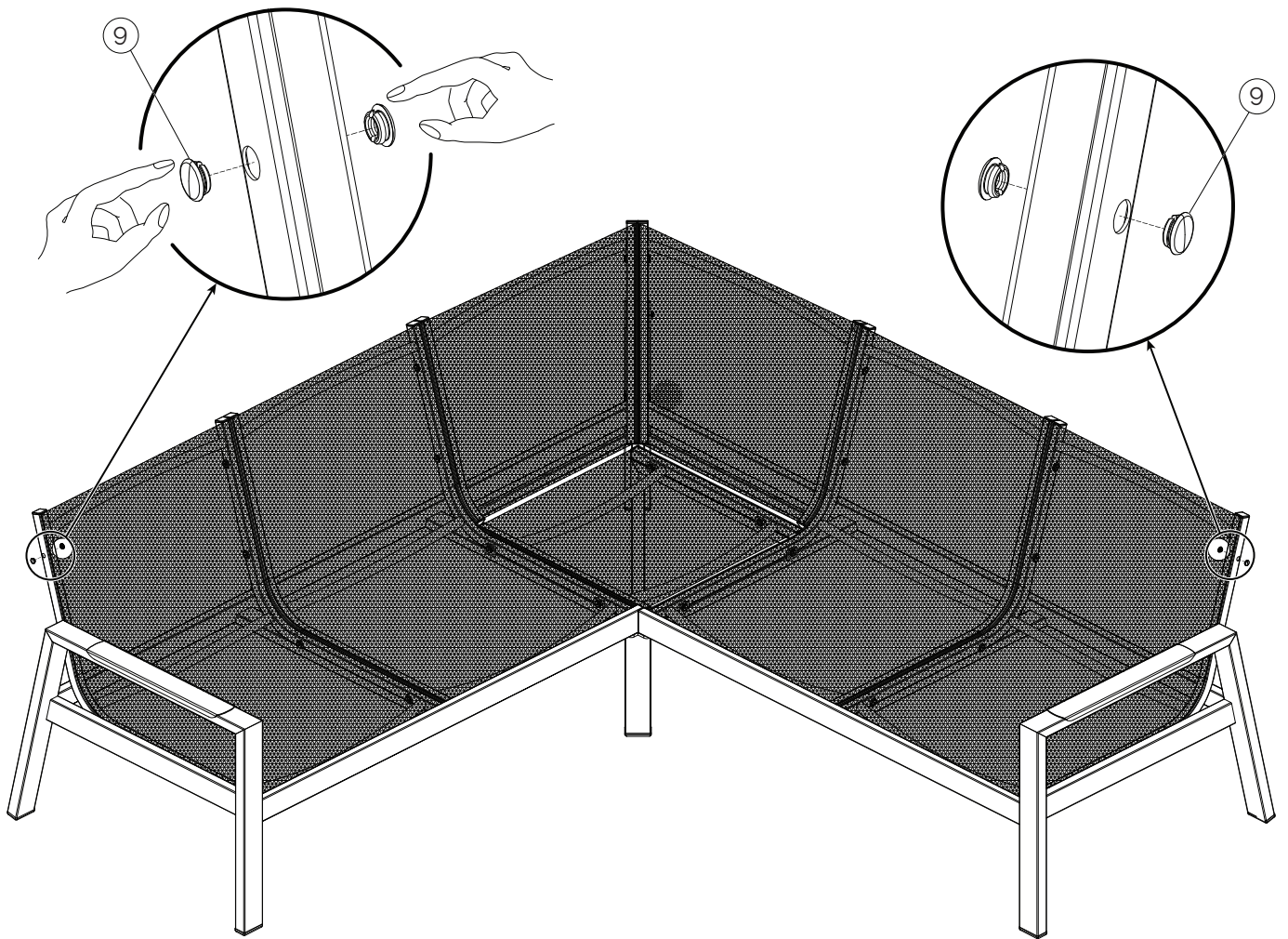


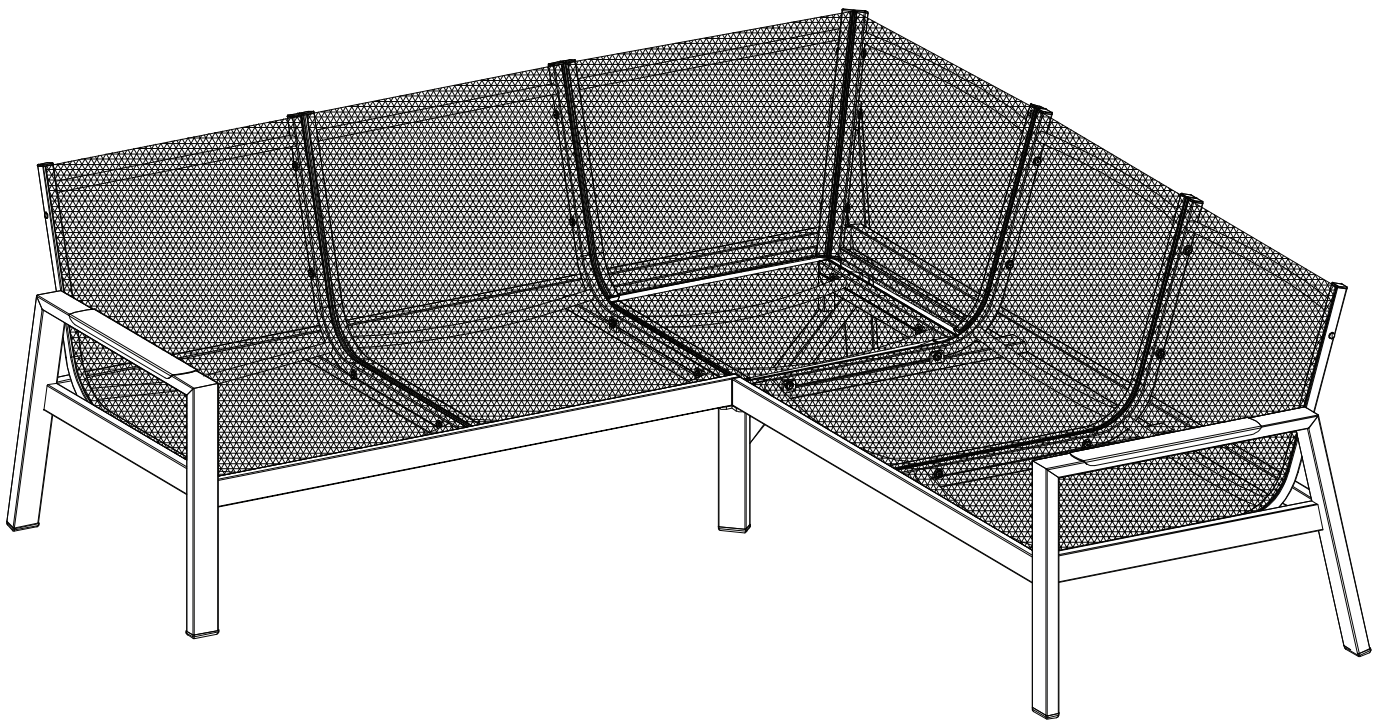
6



<p>①</p>  <p>HW-ST-02-056 (8x50) x4</p>	<p>④</p>  <p>HW-ST-03-089 (8x18) x4</p>	<p>⑤</p>  <p>HW-ST-07-044 (8,5x18x1) x4</p>	<p>⑪</p>  <p>HW-ST-07-100 (10,5x20x2) x4</p>	<p>⑫</p>  <p>HW-MM-18-026 (125) x2</p>
--	--	--	---	---

7



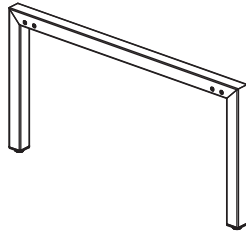






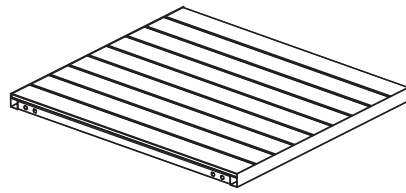
# LifestyleGarden®

*Sustainable outdoor living*



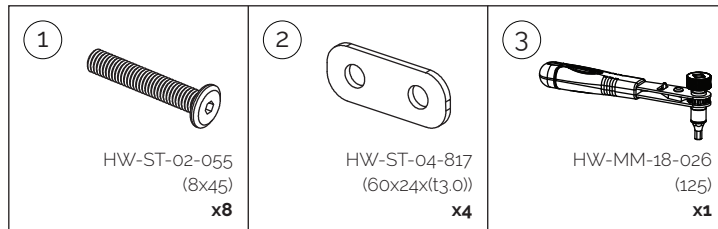
(A)

SU-TB-LF-1690  
x2

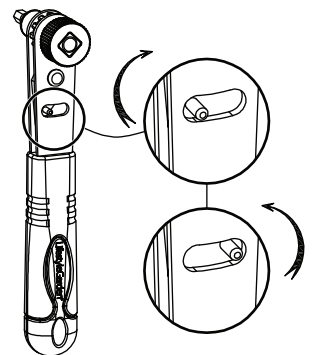
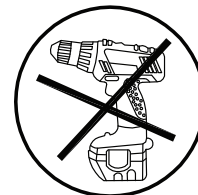
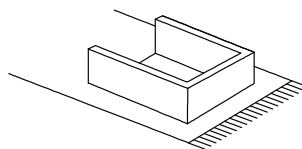
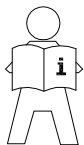


(B)

SU-TB-TF-2388  
x1

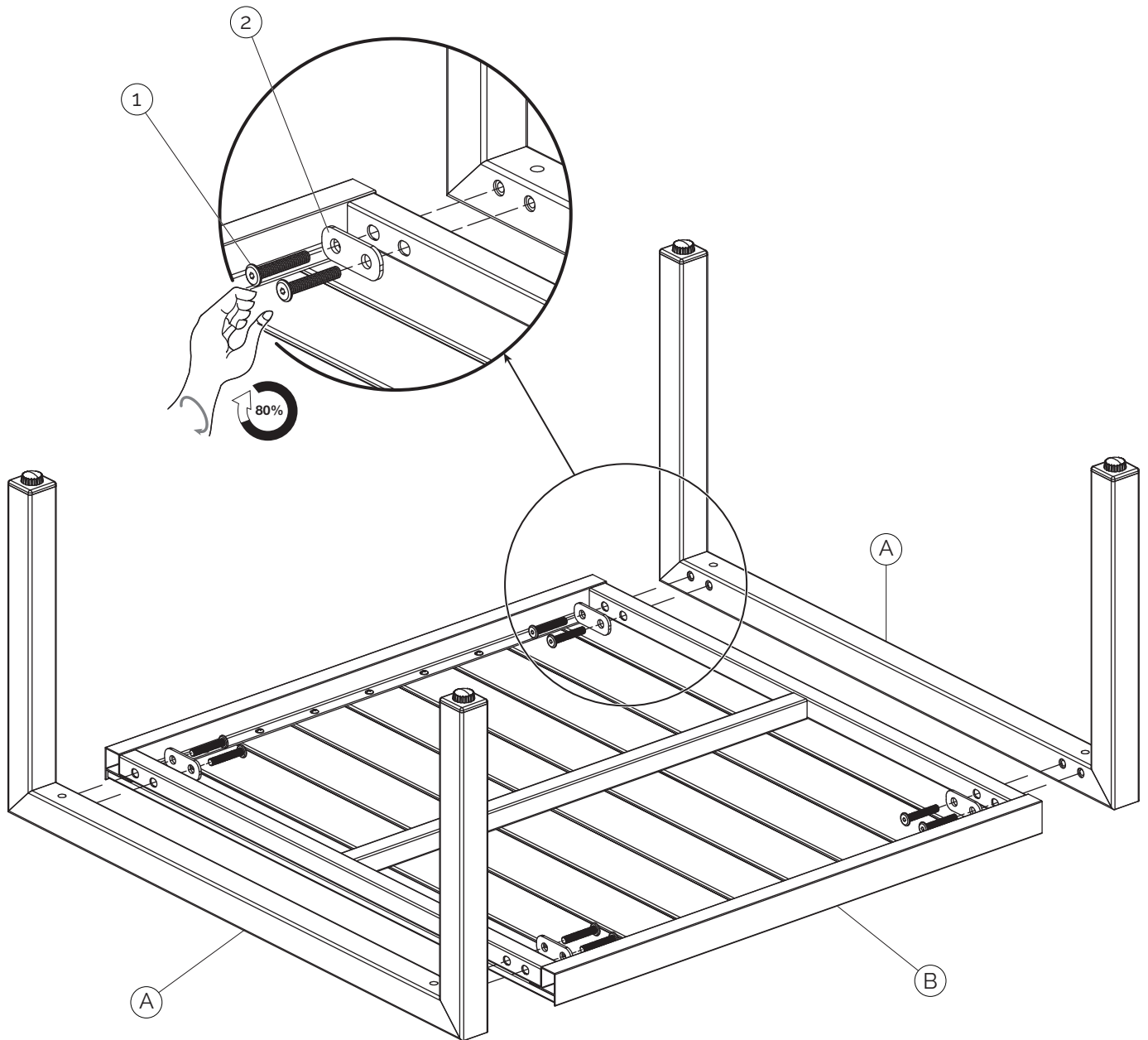


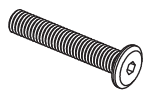
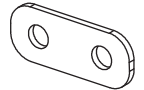
15 min



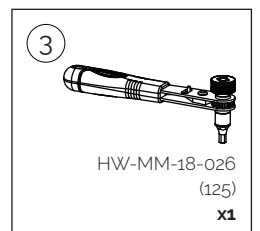
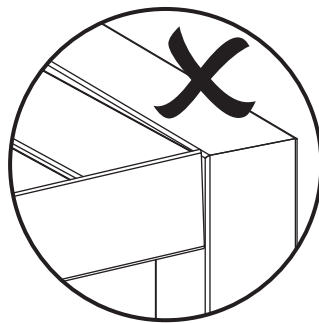
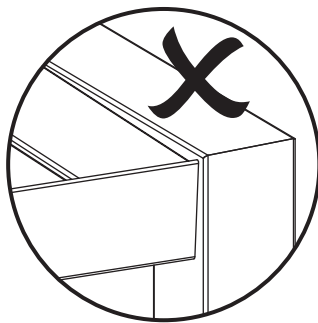
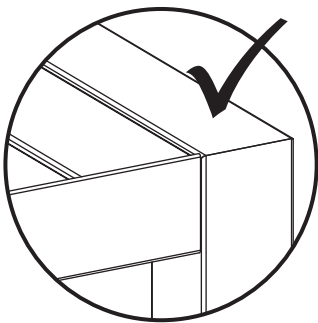
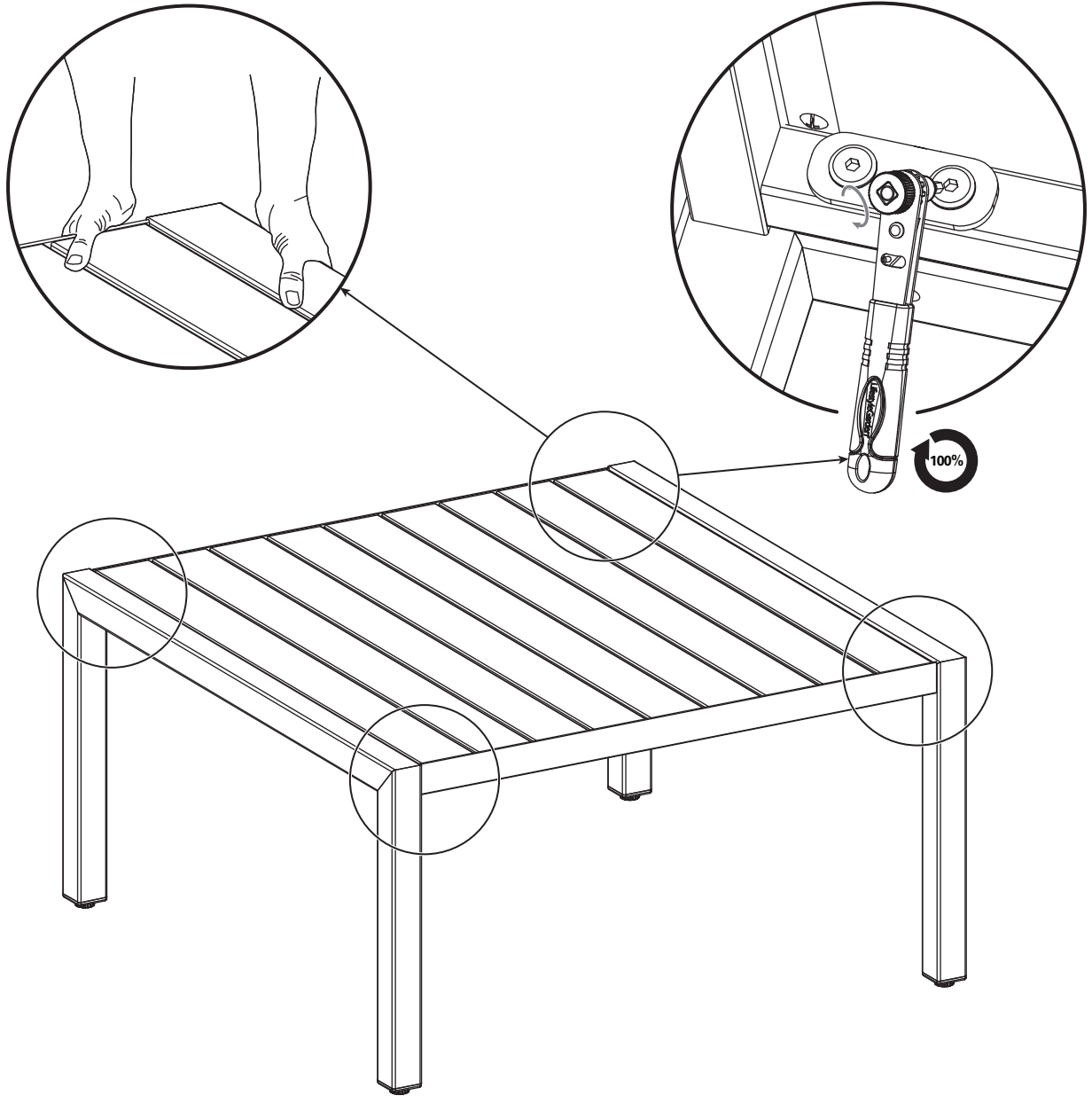


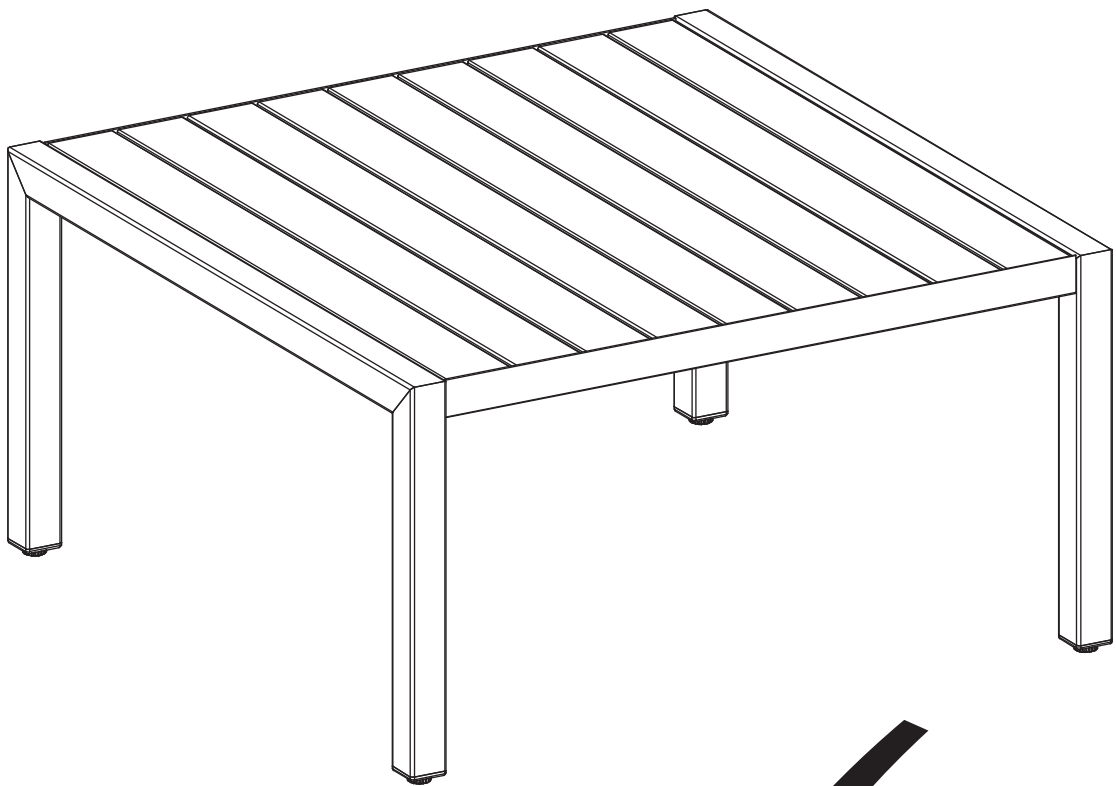
1



<p>1</p>  <p>HW-ST-02-055 (8x45) x8</p>	<p>2</p>  <p>HW-ST-04-817 (60x24x(t3.0)) x4</p>
--	--

2





# LifestyleGarden®

*Sustainable outdoor living*





# LifestyleGarden®

*Sustainable outdoor living*





# LifestyleGarden®

*Sustainable outdoor living*

<https://www.lifestylegarden.com/warranty/>





## Furniture covers



## Maintenance

Wood Cleaner



Wood Protector



Wood Sealer



Textile Protector



Textile Cleaner



LifestyleGarden®  
[www.lifestylegarden.com](http://www.lifestylegarden.com)